



FIRE PREVENTION BUREAU

ADMINISTRATIVE RULINGS

Policies/Interpretations

12.4

Shelf Storage

SCOPE: To identify the requirements in buildings for shelf storage ceiling clearances, maximum shelf width and shelf configurations.

VCFPD Fire Code requirements relating to the storage of miscellaneous combustible materials:

Section 315.2.1 **Ceiling Clearance.** Storage shall be maintained 2 feet (610 mm) or more below the ceiling in nonsprinklered areas of buildings.

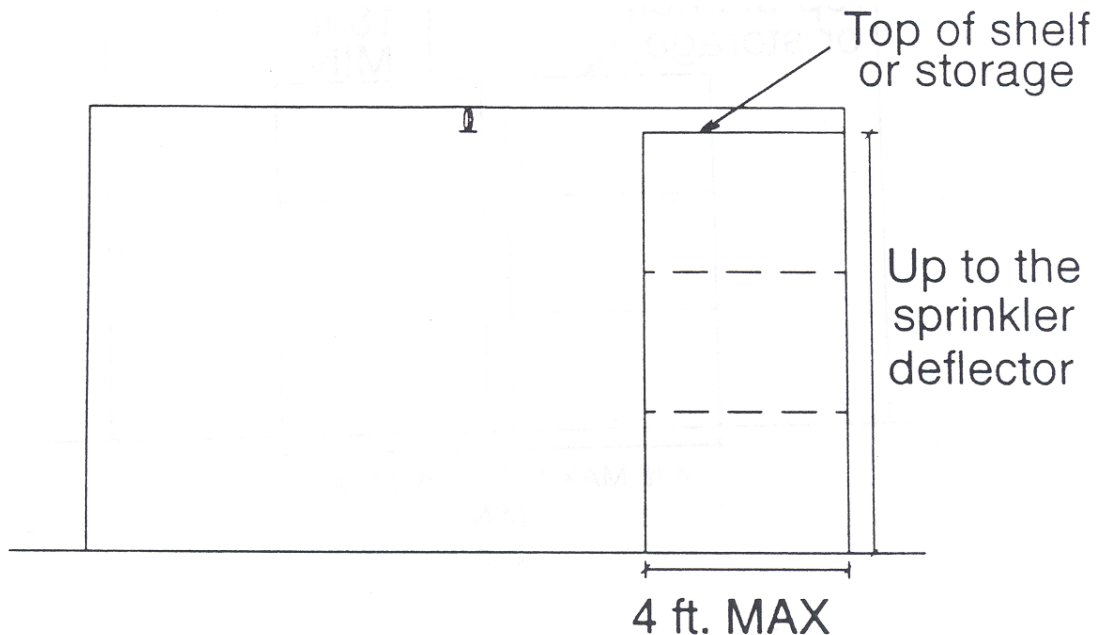
Storage shall be maintained 18 inches (457 mm) or more below sprinkler head deflectors in sprinklered areas of buildings.

Storage structures wider than 4 feet require review and approval by the Fire Prevention Bureau.

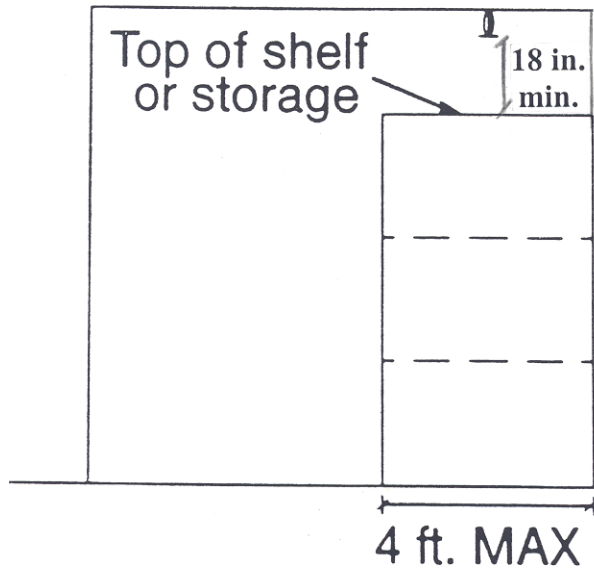
The following applies to shelves 12 feet or less in height:

REQUIREMENTS

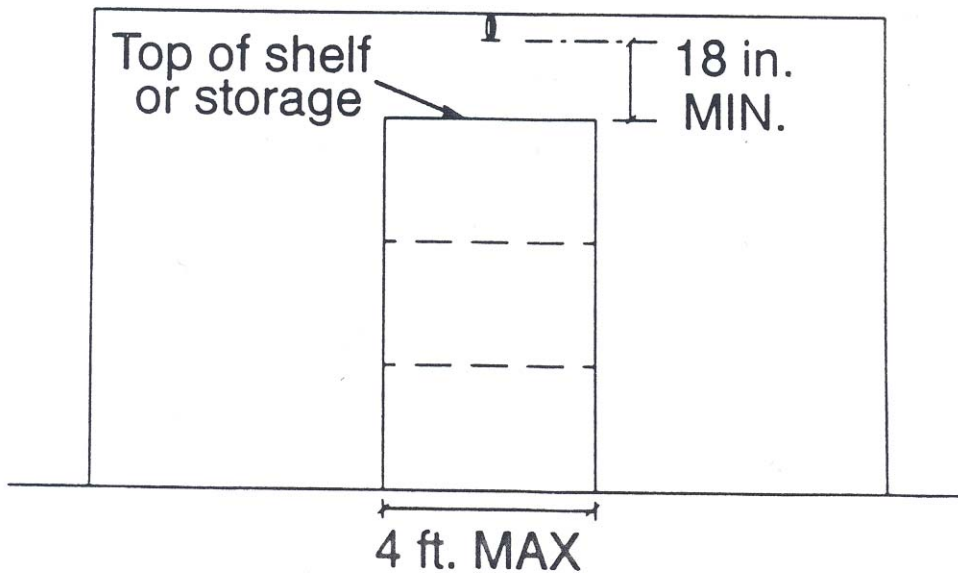
1. Shelves against a wall in a sprinklered area.



2. Shelves against a wall with a sprinkler head above.



3. Shelves away from walls with a sprinkler head above.



4. Back to back shelves in a sprinklered area.

